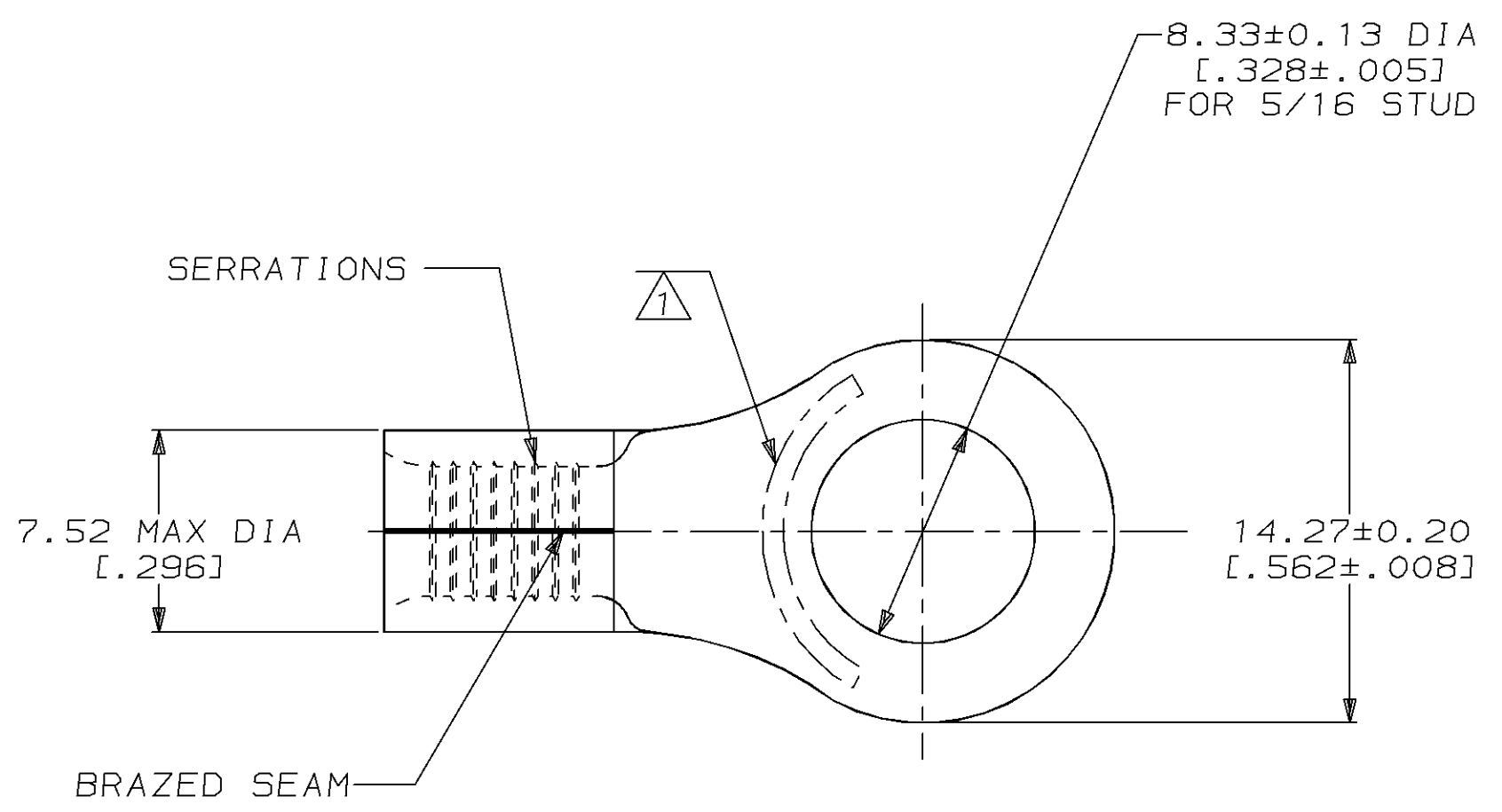


THIS DRAWING IS UNPUBLISHED. RELEASED FOR PUBLICATION ,19 .
 © COPYRIGHT 19 BY AMP INCORPORATED. ALL INTERNATIONAL RIGHTS RESERVED.

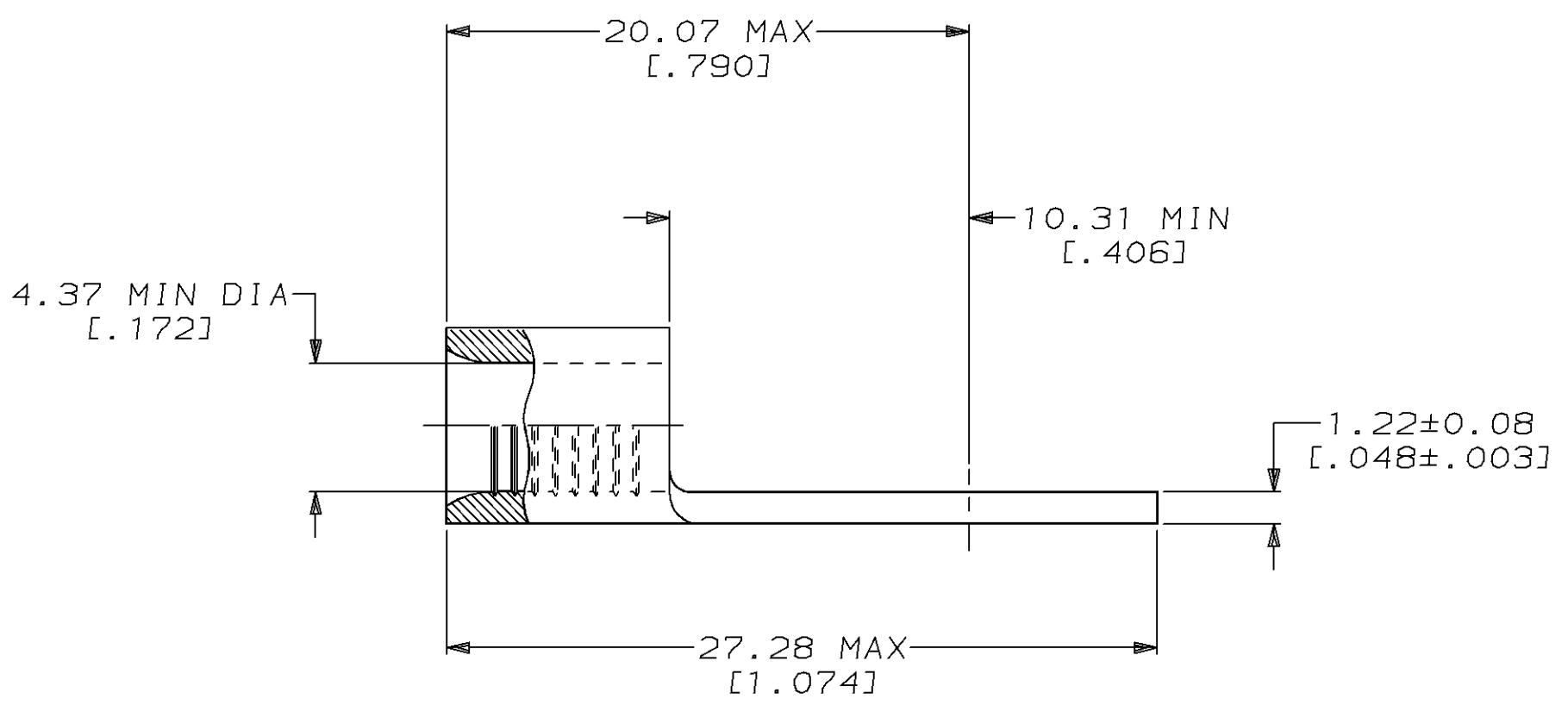
LOC	DIST	P	F	ZONE	LTR	DESCRIPTION	DATE	APPD
G	14					E REVISED PER 0720-0980-96	10JUL96	OKS MJS

METRIC
 DIMENSIONS LISTED IN mm [INCHES]



AMP WIRE RANGE	UL Listed
8 AWG SOLID OR STRANDED	8 AWG STRANDED
SR LR7189 Certified	MILITARY P/N AND CLASS
8 AWG SOLID OR STRANDED	MS20659-108 CLASS 2 P/N 31808 ONLY

1 STAMP AMP 8* APPROX AS SHOWN



50	LOOSE PIECE, BOX	8-31808-2
1000	ON TAPE, REEL	2-31808-2
--	LOOSE PIECE	31808
QUANTITY	PACKAGE TYPE	AMP PART NUMBER

AMP INCORPORATED
 CUSTOMER SERVICE SYSTEMS

MAX RECOMMENDED OPERATING TEMPERATURE:
 170°C MAX

DO NOT SCALE PRINT. UNLESS SPECIFIED
 DIMENSIONS IN mm [INCHES]
 TOLERANCES ON:
 2 PLC DEC ± -
 3 PLC DEC ± -
 ANGLES ± -
 MATERIAL
 COPPER PER ASTM B-152 ANNEALED
 FINISH
 TIN PLATE 0.00254 [0.00100] MIN THK PER MIL-T-10727

DR 3-24-93 TA BRINKMAN
 CHK 3-24-93 DA PATTERSON
 APPD 3-24-93 DE MILLER
 APPD 3-24-93 JL MECKLEY
 PRODUCT SPEC -
 APPLICATION SPEC -
 WEIGHT -

AMP AMP Incorporated Harrisburg, PA 17105-3608		
NAME TERMINAL, RING TONGUE, SOLISTRAND™		
SIZE C	CAGE CODE 00779	DRAWING NO G-31808
SCALE 4:1	SHEET 1 OF 1	

FOR ADDITIONAL PRODUCT INFORMATION OR COPIES OF DRAWINGS AND TECHNICAL DOCUMENTS	PRODUCT INFORMATION CENTER 1-800-522-6752
FOR APPLICATION TOOLING INFORMATION	TOOLING ASSISTANCE CENTER 1-800-722-1111
FOR ORDER ENTRY	1-800-526-5142

VOLTAGE RATING:
 NOT APPLICABLE

WIRE CROSS SECTIONAL AREA RANGE:
 6.64-10.5mm² [13,100-20,800] CIR MILS
 SOLID OR STRANDED

THIS DRAWING IS A CONTROLLED DOCUMENT FOR AMP INCORPORATED. IT IS SUBJECT TO CHANGE AND THE CONTROLLING ENGINEERING ORGANIZATION SHOULD BE CONTACTED FOR THE LATEST REVISION.